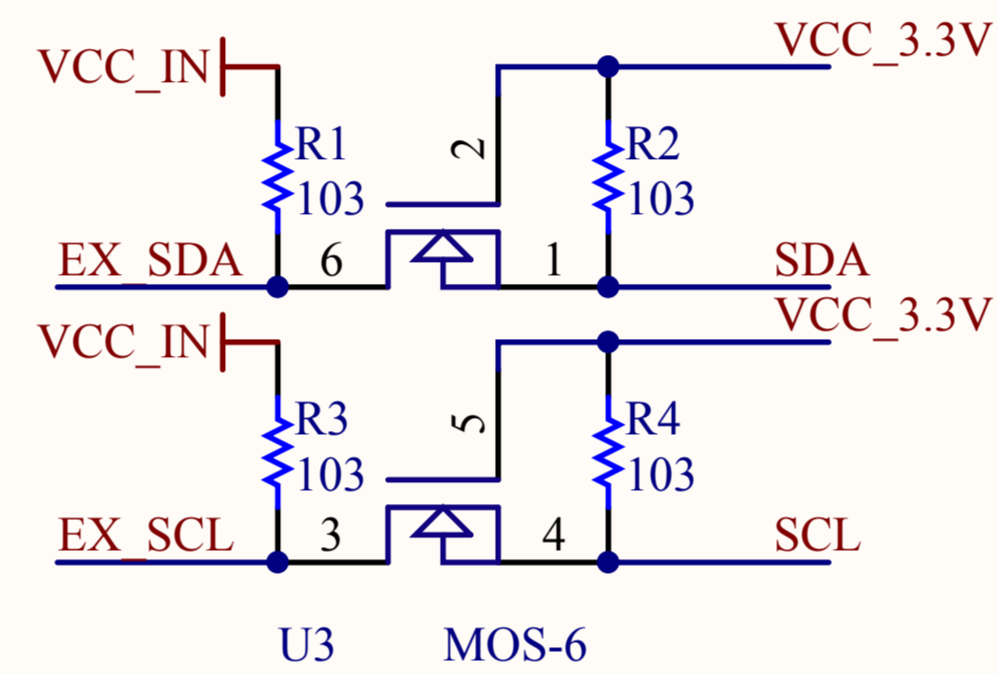
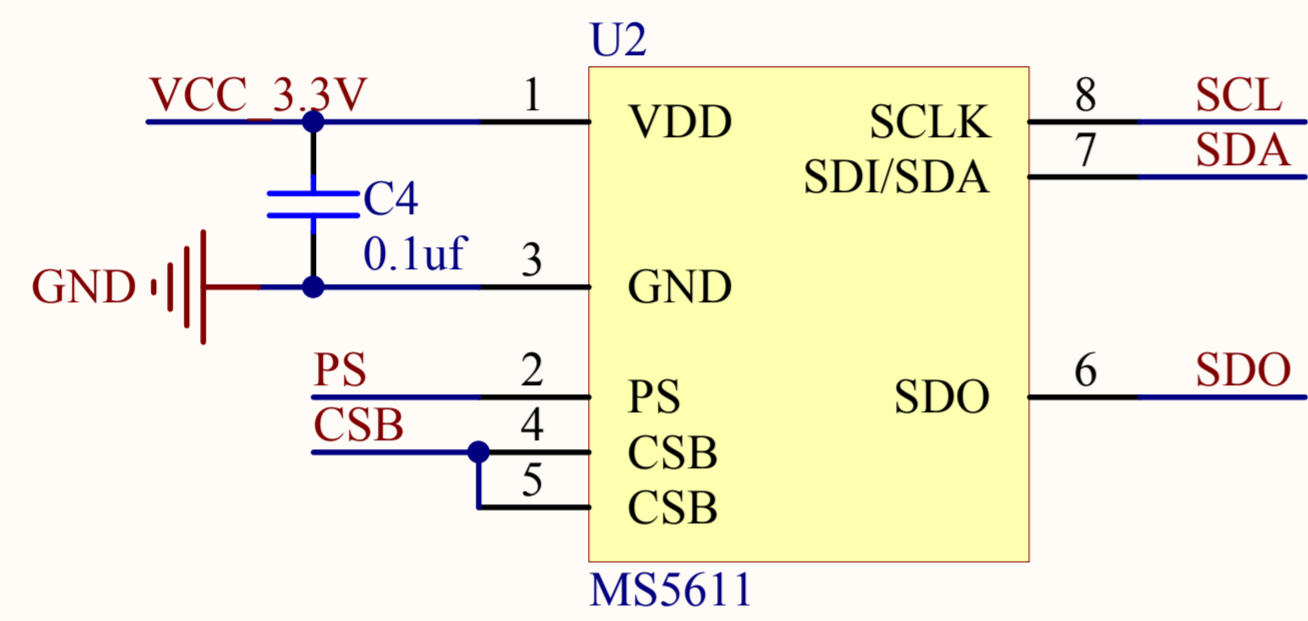
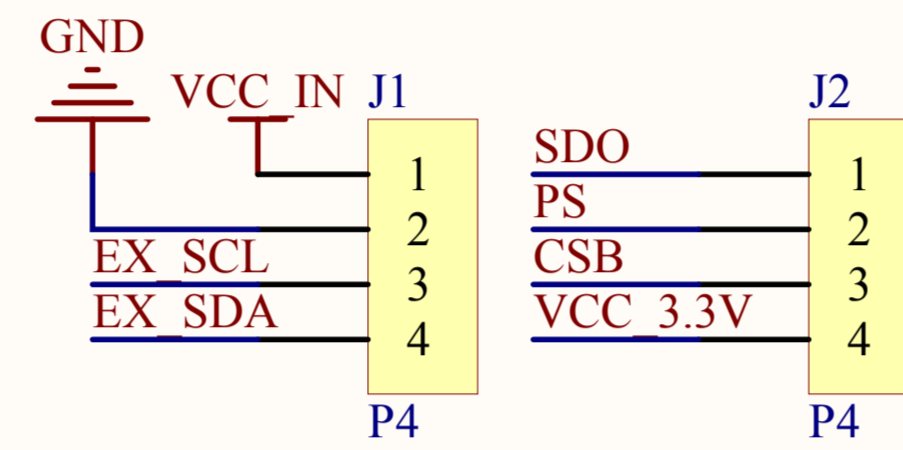
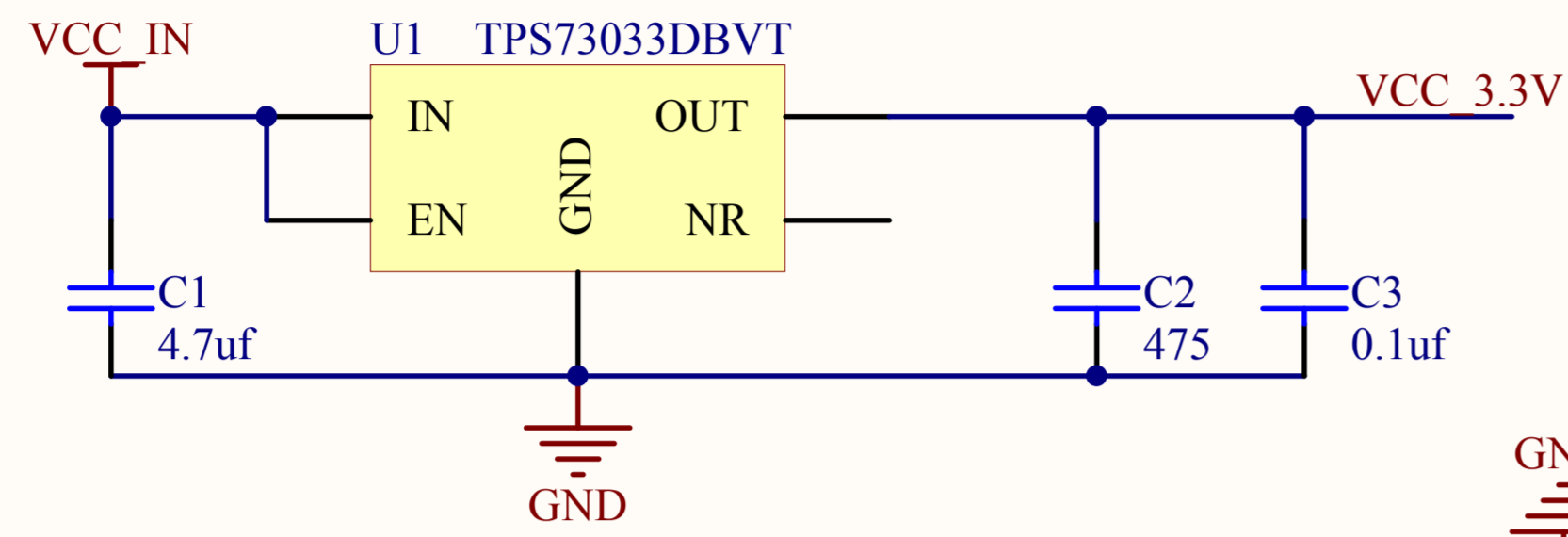


<http://13584082319.taobao.com/>
MS5611 模块原理图



Title		
Size	Number	Revision
A4		
Date:	2012-4-6	Sheet of
File:	G:\MS5611	MS5611.SchDoc Drawn By: