

1

2

3

4

5

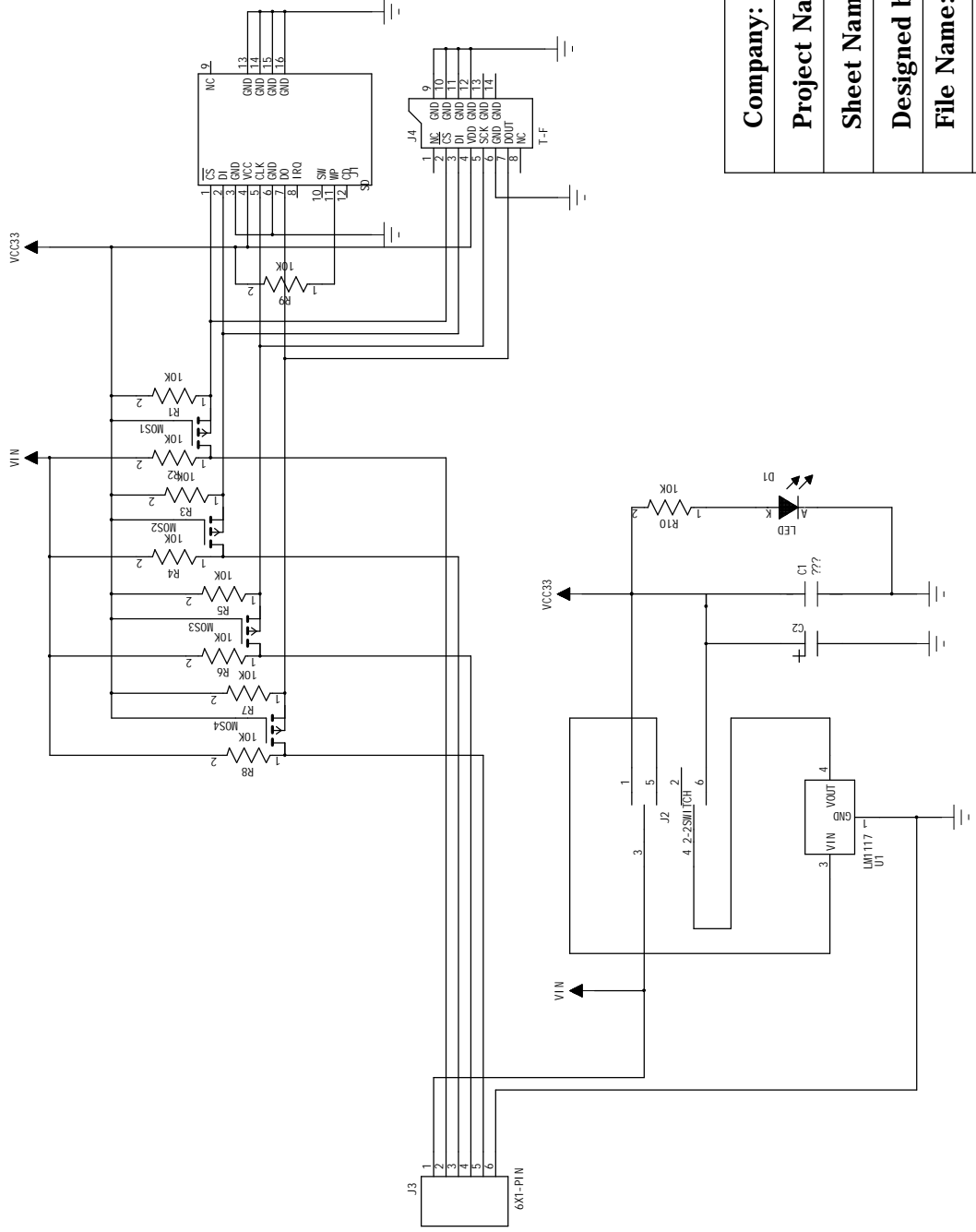
6

D

C

B

A



<b>Company:</b>	
<b>Project Name:</b>	<b>Rev:</b>
<b>Sheet Name:</b> <undefined>	
<b>Designed by</b>	
<b>File Name:</b> sd.sch	<b>Page size:</b> B
<b>Date :</b>	<b>Page Num:</b> 1 of 1

D

C

B

A