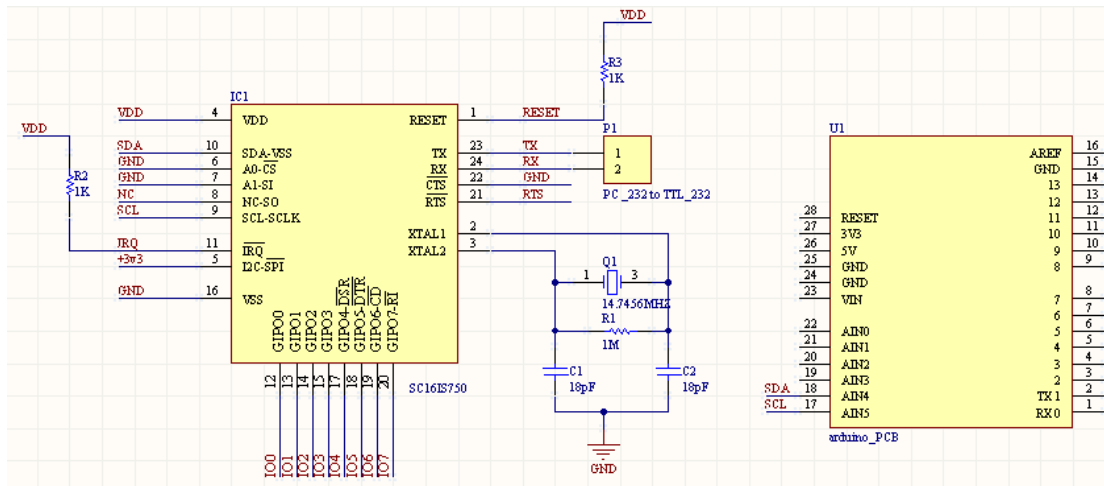


i2c+spi-uart Debugging Description

Feature

- I2c to uart function
- Spi to uart function

1: I2c to uart Pin Configurations

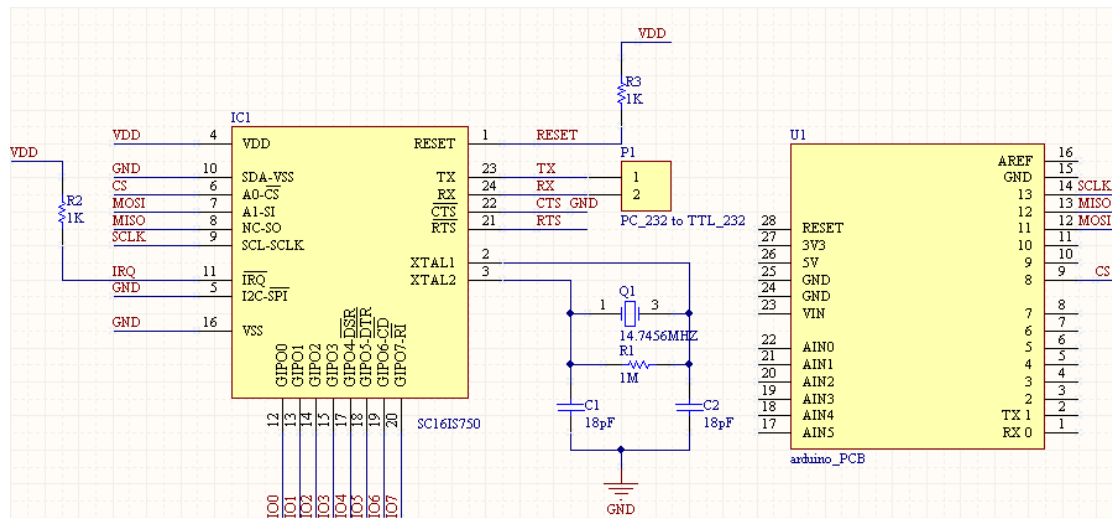


- 1.1 Pin6: A0 connect to GND
- 1.2 Pin7: A1 connect to GND
- 1.3 Pin9: SCL connect to Arduino_SCL
- 1.4 Pin10: SDA connect to Arduino_SDA
- 1.5 Pin22: CTS connect to GND
- 1.6 Pin5: I2C model clinek connect to +3.3v

2:I2c to uart Debugging Steps

- 2.1: download the program to arduino
- 2.2: connect i2c+spi to uart shield to arduino
- 2.3: connect i2c+spi to pc (soft serial port of arduino, but do this need to change the program)
- 2.4: Open the tools of serial,send a byte from the serial of arduino,when arduino receive the byte,it write to I2c ,the i2c+spi to uart shield change the byte form the type of i2c to the byte of uart.At last you can read the byte from the serial port of i2c+spi to uart shield by PC_232 to TTL_232(soft serial port of arduino, but do this need to change the program).
- 2.5: As above ,you can send a tyte from the serial port of PC,and receive from the serial port of arduino.

3: Spi to uart Pin Configurations



- 1.1 Pin6: CS connect to Arduino_Pin 8_CS
- 1.2 Pin7: MOSI connect to Arduino_Pin 12_MOSI
- 1.3 Pin8: MISO connect to Arduino_Pin 13_MISO
- 1.4 Pin9: SCLK connect to Arduino_Pin 14_SCL
- 1.5 Pin10: SDA_VSS connect to GND
- 1.6 Pin22: CTS connect to GND
- 1.7 Pin5: SPI model connect to GND

4: Spi to uart Debugging Steps

- 2.1: download the program to arduino
- 2.2: connect i2c+spi to uart shield to arduino
- 2.3: connect i2c+spi to pc (soft serial port of arduino, but do this need to change the program)
- 2.4: Open the tools of serial, send a byte from the serial of arduino, when arduino receive the byte, it write to SPI, the i2c+spi to uart shield change the byte form the type of SPI to the byte of uart. At last you can read the byte from the serial port of i2c+spi to uart shield by PC_232 to TTL_232 (soft serial port of arduino, but do this need to change the program).
- 2.5: As above, you can send a tyte from the serial port of PC, and receive from the serial port of arduino.